



AXIS50LM

Optical Wheel Alignment

Laser System

Laser wheel alignment system
for tractors and agricultural machinery



Toe alignment in modern tractors and agricultural machinery is as important as in cars and utility vehicles.

The toe can only be correctly aligned if it is set up correctly. In the new generation of tractors, the toe can no longer be aligned and adjusted using a toe bar as there are two adjustable track rods and the partial toe must therefore be identified for each wheel before adjustment.



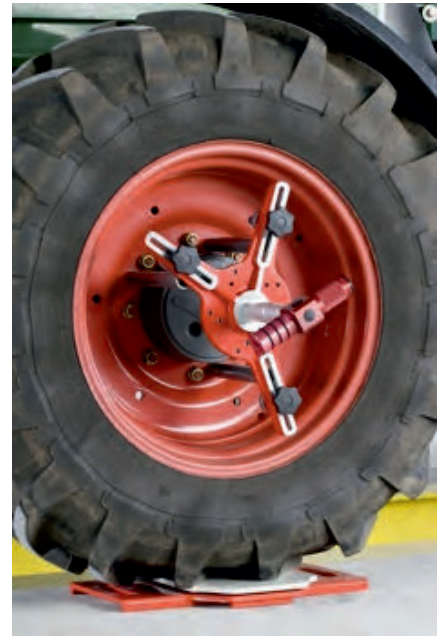
The mobile HAWEKA AXIS50 LM laser wheel alignment system guarantees quick and precise axle alignment, allowing you to adjust the partial toe accurately and as required by the manufacturer for each wheel.

The AXIS50 LM is used exclusively for quick measurement of the chassis geometry.

For front axle and steered axles:

- **Total toe**
- **Partial toe**
- **Camber ***
- **Toe difference angle**

* (Electronic inclinometer required as optional accessory)



Performance features:

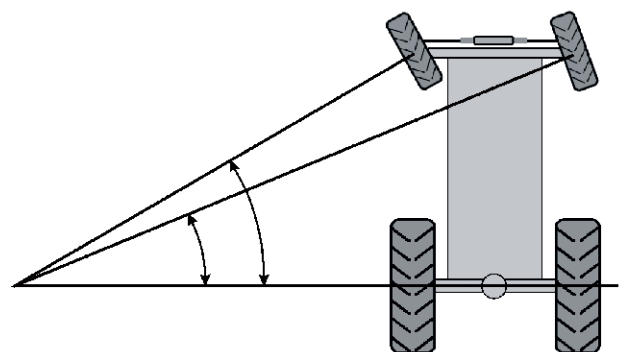
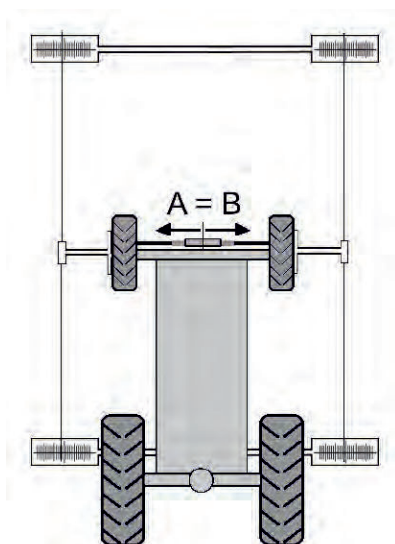
- Measure in drive position; no raising necessary
- Equipment trolley included in the scope of delivery
- Easy attachment of the measuring heads with magnetic feet
- The **AXIS50 LM** laser wheel alignment system allows you to align and adjust the axles of agricultural machinery with split track rods.



Aligning the steering centre position and determining the total and partial toe values



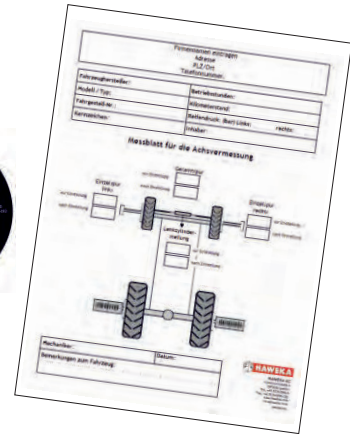
Determining the toe difference angle



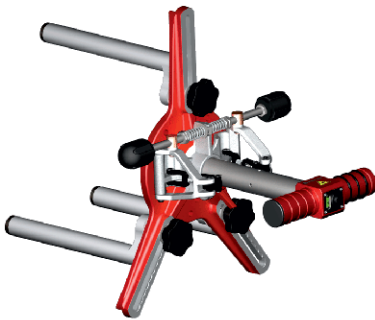


Wheel alignment record as template on CD

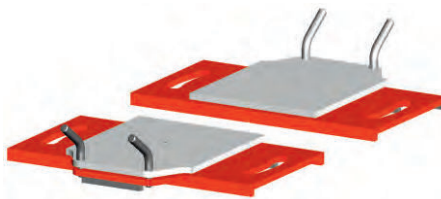
Use the record template on the provided CD to enter all relevant vehicle data and the measurements you have made in a clear format.



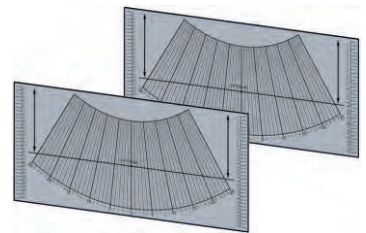
AXIS50 LM basic configuration



2x laser measuring heads



2x turning plates



2x floor gauges



2x magnetic gauges

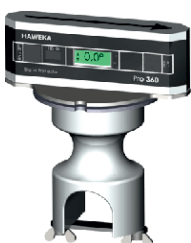


2x track gauges



Mobile equipment trolley

Optional accessories:



1x electronic inclinometer



Technical data of AXIS50LM

Measuring accuracy

Toe	< 0,5 mm
Camber*	+/- 6 min.
Toe difference angle	+/- 15 min.

Measuring range

Toe measurement	+/- 28 mm
Camber measurement*	Up to 5 degrees

* (Electronic inclinometer required as optional accessory)

Laser

Supply voltage	3 volts (2 x 1.5 volt AA batteries)
Radiated power	0,91 mW
Operating range	20 m
Laser class	2 -> DIN EN 60825-1

Turning plate

Load capacity	9 tonnes per turning plate
---------------	----------------------------

Laser wheel alignment system AXIS50LM

Item no. 922 000 005

We are happy to provide further information. Please call us!

HAWEKA AG

Kokenhorststraße 4
30938 Burgwedel
Tel. +49 (0)5139-8996-0
Fax. +49 (0)5139-8996-222
www.haweke.com
info@haweke.com